

PHILIPS OPTIMUM

Industrial

High bay G10L

8000, 12000, or 16000 lm



Project: _____

Location: _____

Cat.No: _____

Type: _____

Lamps: _____ Qty: _____

Notes: _____

Philips Optimum LED high bay G10L is a high efficiency, 10" wide luminaire that provides exceptional light distribution for general areas. Designed with low cost of ownership in mind, the G10L is an economical full body fixture that takes advantage of high efficiency, long life LED technology. The hinged LED tray pivots down with a quick release, allowing for immediate access to all internal fixture components. This unique design adds the benefit of quicker, easier fixture maintenance.

Ordering guide

Example: G10L4FT16LUV850

Family ¹	Diffuser	Length	Lumens ²	Voltage	CRI/CCT	Hanging	Options
<input type="checkbox"/>	<input type="checkbox"/>	<input type="text" value="4FT"/>	<input type="text"/>	<input type="text" value="UV"/>	<input type="text"/>	<input type="text"/>	<input type="text"/>
G10L Postpainted Body	blank none WD White Diffuser	4FT 4'	08L 8,000 12L 12,000 16L 16,000	UV 120-277V	835 80 CRI, 3500K 840 80 CRI, 4000K 850 80 CRI, 5000K	blank V-Chain Hangers JB Slide-On Junction Box PS Pendant Stabilizer QC Quick Hang Cable (10') QC () Quick Hang Cable (Specify Length) SPSH 12" Stem/PS/Hook SPST 12" Stem/PS/Toggle	C6 6' Single Circuit Cord C () Single Circuit Cord (Specify Length) TL6(L5-15P) 6' Cord with Twist Lock Plug (120V) TL6(L7-15P) 6' Cord with Twist Lock Plug (277V) BSL310 10W Emergency Pack BSL20 20W Emergency Pack F Inline Fuse SC 10' Safety Cable WG Wire Guard (Unpainted) WWG White Wire Guard OS Occupancy Sensor (On/Off) OS(480V) 480V Occupancy Sensor (On/Off) OS(DIM) Occupancy Sensor (On/Off/Dim/Photocell) OS(LSXRHVOLT) 347V/480V Occupancy Sensor (On/Off/Dim/Photocell) OS(FSP,DIM) Programmable Occupancy Sensor (On/Off/Dim/Photocell) ³ SDT(480V) 480V-277V Step Down Transformer SDT(347V) 347V-277V Step Down Transformer (OSB) Owner Supplied Back Box

Footnotes

- ¹ Some G10L(P) luminaires are DesignLights Consortium® qualified. Please see the DLC QPL list for exact catalog numbers. (www.designlights.org/QPL)
- ² Nominal delivered lumens.
- ³ Initial sensor setup and subsequent adjustments are made using FSIR-100 handheld configuration tool, sold separately.

General Notes

- Many luminaire components, such as reflectors, refractors, lenses, sockets, lampholders, and LEDs are made from various types of plastics which can be adversely affected by airborne contaminants. If sulfur based chemicals, petroleum based products, cleaning solutions, or other contaminants are expected in the intended area of use, consult factory for compatibility.

Accessories (order separately)

- FSIR-100** – Handheld remote configuration tool for FSP-211



G10L LED high bay

8000, 12000, or 16000 lumens

Applications

- General Areas
- Open construction retail
- Gymnasiums (with Wire Guard)

Features

- 0-10V dimming drivers standard on all models
- Hinged LED tray pivots down for easy access to internal fixture components.
- Future proof design: LED light engines and drivers are field replaceable and can be upgraded when newer, more efficient technology becomes available.

Mounting Methods

- G10L fixtures offer flexible mounting methods that most commonly include: standard V-chain hangers and Y-style quick hang cable kit. There are several other mounting options available that can be seen in the ordering guide.

Product Construction

- The G10L fixture body is brake formed from heavy gauge cold rolled steel. Ends are permanently riveted together for strength and rigidity. The LED assembly is precision brake formed from aluminum. This one piece heat conducting assembly, along with the fixture's arc bottom, provide an exceptional means of heat dissipation, allowing for higher lumen output and increased LED system life. The housing and LED tray are painted with a highly durable, highly reflective, white powder-coat finish.

Predicted L70 Lifetime

- 60,000hrs @ 25°C Ambient (based on LM-80 and TM-21 data).

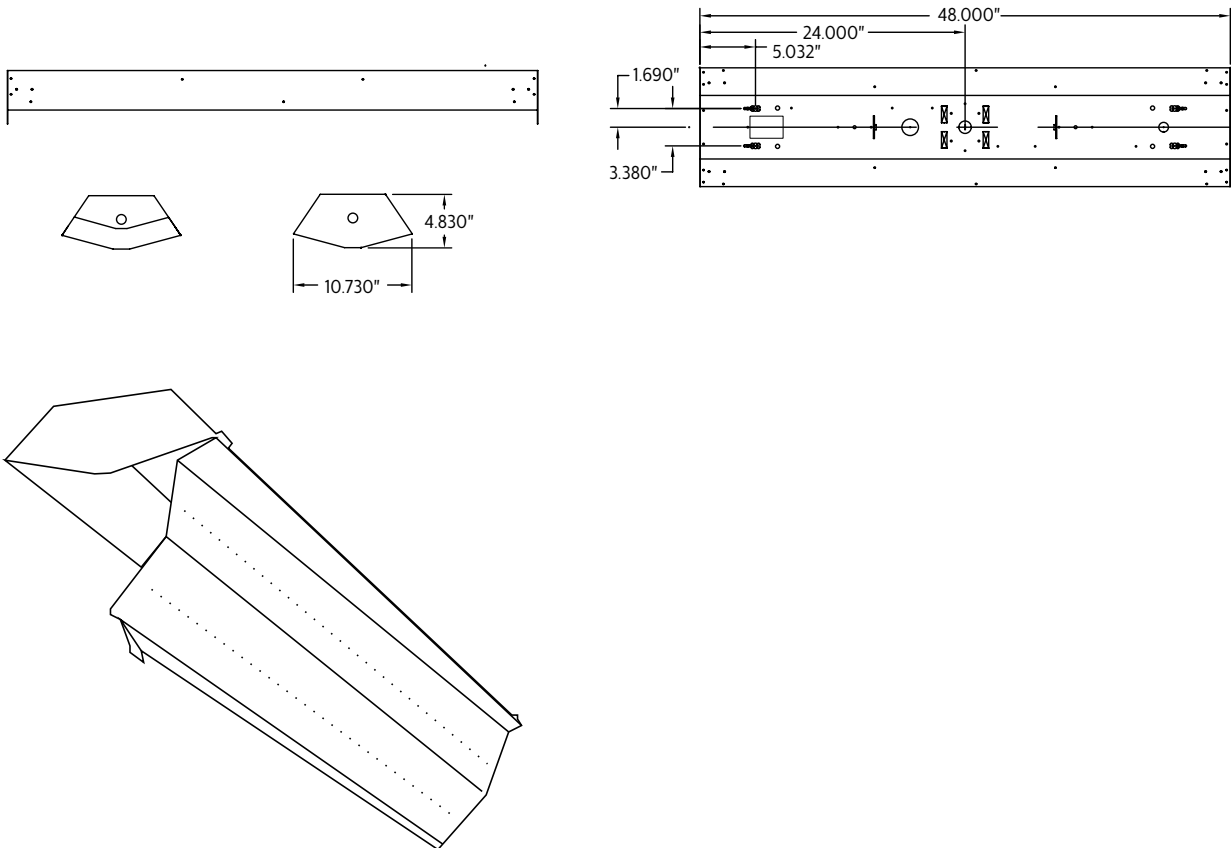
Listings

- cETLus listed to UL standards, suitable for damp locations and 25°C ambient.
- Some G10L(P) luminaires are DesignLights Consortium® qualified. Please see the DLC QPL list for exact catalog numbers. (www.designlights.org/QPL)

Warranty

- 5-year limited system warranty. See www.philips.com/optimum for warranty details.

Dimensions



G10L LED high bay

8000, 12000, or 16000 lumens

Performance Data*

Catalog No.	Lumens	LPW	Watts
G10L(P) 4FT 08L UV 835 [OS, OS(DIM), OS(FSP, DIM)]	8422	136	62
G10L(P) 4FT 08L UV 840 [OS, OS(DIM), OS(FSP, DIM)]	8843	143	62
G10L(P) 4FT 08L UV 850 [OS, OS(DIM), OS(FSP, DIM)]	8932	144	62
G10L(P) 4FT 12L UV 835 [OS, OS(DIM), OS(FSP, DIM)]	11642	127	92
G10L(P) 4FT 12L UV 840 [OS, OS(DIM), OS(FSP, DIM)]	12254	133	92
G10L(P) 4FT 12L UV 850 [OS, OS(DIM), OS(FSP, DIM)]	12378	135	92
G10L(P) 4FT 16L UV 835 [OS, OS(DIM), OS(FSP, DIM)]	15437	126	123
G10L(P) 4FT 16L UV 840 [OS, OS(DIM), OS(FSP, DIM)]	16209	132	123
G10L(P) 4FT 16L UV 850 [OS, OS(DIM), OS(FSP, DIM)]	16371	133	123

* Scaled data

Photometry

G10L LED high bay LED, 8000 nominal delivered lumens

LER – 132

Catalog No.	G10LP4FT08LUV835	Candlepower				Light Distribution			Average Luminance						
		Angle	End	45°	Cross	Degrees	Lumens	% Luminaire	Angle	End	45°	Cross			
Test No.	35520	0	2845	2845	2845	0-30	2234	26.0	45	8567	8383	8336			
S/MH	1.3	5	2808	2834	2851	0-40	3688	42.9	55	8441	8201	8240			
Lamp Type	LED	15	2736	2754	2760	0-60	6631	77.1	65	7888	7900	8155			
Lumens	8598	25	2588	2578	2576	0-90	8597	100.0	75	6350	7949	9223			
Input Watts	65	35	2348	2321	2317	0-180	8598	100.0	85	2779	1112	892			
		45	2026	1983	1971	Coefficients of Utilization									
		55	1619	1573	1581	EFFECTIVE FLOOR CAVITY REFLECTANCE 20 PER (pfc=0.20)									
		65	1115	1117	1153	pcc	80			70			50		
		75	550	688	798	pw	70	50	30	70	50	30	50	30	
		85	81	32	26	RCR									
						0	118	118	118	115	115	115	111	111	
						1	108	103	98	106	101	96	96	93	
						2	97	90	82	95	88	81	83	79	
						3	89	78	69	86	77	68	73	67	
						4	81	68	59	79	68	59	65	57	
						5	75	61	53	72	60	52	58	51	
						6	68	56	46	67	55	46	53	45	
						7	64	50	40	61	48	40	47	40	
						8	59	46	36	57	45	36	44	35	
						9	56	41	34	54	40	33	40	33	
						10	52	39	30	51	38	29	36	29	

Comparative yearly lighting energy cost per 1000 lumens – \$1.82 based on 3000 hrs. and \$.08 pwr KWH.

The photometric results were obtained in the Philips Day-Brite laboratory which is NVLAP accredited by the National Institute of Standards and Technology.

Photometric values based on test performed in compliance with LM-79.

G10L LED high bay LED, 12000 nominal delivered lumens

LER – 137

Catalog No.	G10LP4FT12LUV850	Candlepower				Light Distribution			Average Luminance						
		Angle	End	45°	Cross	Degrees	Lumens	% Luminaire	Angle	End	45°	Cross			
Test No.	36227	0	4079	4079	4079	0-30	3197	25.5	45	12941	12651	12531			
S/MH	1.3	5	4033	4051	4071	0-40	5292	42.3	55	12845	12433	12345			
Lamp Type	LED	15	3937	3920	3928	0-60	9585	76.6	65	12023	11892	11898			
Lumens	12517	25	3729	3686	3689	0-90	12517	100.0	75	9759	11537	12744			
Input Watts	91	35	3404	3341	3316	0-180	12517	100.0	85	4308	12929	11229			
		45	2958	2892	2865	Coefficients of Utilization									
		55	2382	2306	2289	EFFECTIVE FLOOR CAVITY REFLECTANCE 20 PER (pfc=0.20)									
		65	1643	1625	1626	pcc	80			70			50		
		75	817	965	1066	pw	70	50	30	70	50	30	50	30	
		85	121	364	316	RCR									
						0	118	118	118	115	115	115	111	111	
						1	108	103	98	105	101	96	96	93	
						2	97	89	81	94	86	81	83	78	
						3	89	78	69	86	77	68	72	67	
						4	81	68	59	79	68	58	65	57	
						5	75	60	52	72	59	52	57	50	
						6	68	55	46	67	54	46	52	45	
						7	64	50	40	61	48	40	47	40	
						8	58	46	36	57	45	36	42	35	
						9	55	41	33	54	40	33	40	33	
						10	52	38	29	51	38	29	36	29	

Comparative yearly lighting energy cost per 1000 lumens – \$1.75 based on 3000 hrs. and \$.08 pwr KWH.

The photometric results were obtained in the Philips Day-Brite laboratory which is NVLAP accredited by the National Institute of Standards and Technology.

Photometric values based on test performed in compliance with LM-79.

G10L LED high bay

8000, 12000, or 16000 lumens

G10L LED high bay LED, 16000 nominal delivered lumens

LER – 135

		Candlepower				Light Distribution			Average Luminance			
		Angle	End	45°	Cross	Degrees	Lumens	% Luminaire	Angle	End	45°	Cross
Catalog No.	G10L4FT16LUV850	0	5397	5397	5397	0-30	4239	25.4	45	17114	16766	16656
Test No.	36221	5	5342	5362	5371	0-40	7018	42.1	55	17011	16485	16359
S/MH	1.3	15	5209	5199	5190	0-60	12718	76.3	65	15948	15720	15924
Lamp Type	LED	25	4933	4894	4889	0-90	16671	100.0	75	12947	15271	17276
Lumens	16672	35	4498	4429	4406	0-180	16672	100.0	85	5707	20566	18891
Input Watts	123	45	3913	3833	3808							
		55	3155	3057	3034							
		65	2179	2148	2176							
		75	1083	1278	1446							
		85	161	580	532							
Comparative yearly lighting energy cost per 1000 lumens – \$1.78 based on 3000 hrs. and \$.08 pwr KWH.												
The photometric results were obtained in the Philips Day-Brite laboratory which is NVLAP accredited by the National Institute of Standards and Technology.												
Photometric values based on test performed in compliance with LM-79.												
						Coefficients of Utilization						
						EFFECTIVE FLOOR CAVITY REFLECTANCE 20 PER (pfc=0.20)						
						pcc			80			
									70			
									50			
						pw			70 50 30			
						RCR			70 50 30			
						0			118 118 118 115 115 115 111 111			
						1			108 103 97 105 101 95 95 93			
						2			97 89 81 94 86 81 83 78			
						3			89 78 68 85 76 68 72 67			
						4			81 68 59 79 67 58 65 57			
						5			75 60 52 71 59 51 57 50			
						6			68 55 46 67 54 45 52 45			
						7			64 50 40 61 48 40 46 40			
						8			58 45 36 57 45 35 42 35			
						9			55 41 33 54 40 33 40 33			
						10			52 38 29 51 38 29 36 29			

© 2016 Philips Lighting Holding B.V. All rights reserved. Philips reserves the right to make changes in specifications and/or to discontinue any product at any time without notice or obligation and will not be liable for any consequences resulting from the use of this publication. philips.com/luminaires



Philips Lighting North America Corporation
200 Franklin Square Drive, Somerset, NJ 08873
Tel. 855-486-2216

Philips Lighting Canada Ltd.
281 Hillmount Rd, Markham, ON, Canada L6C 2S3
Tel. 800-668-9008